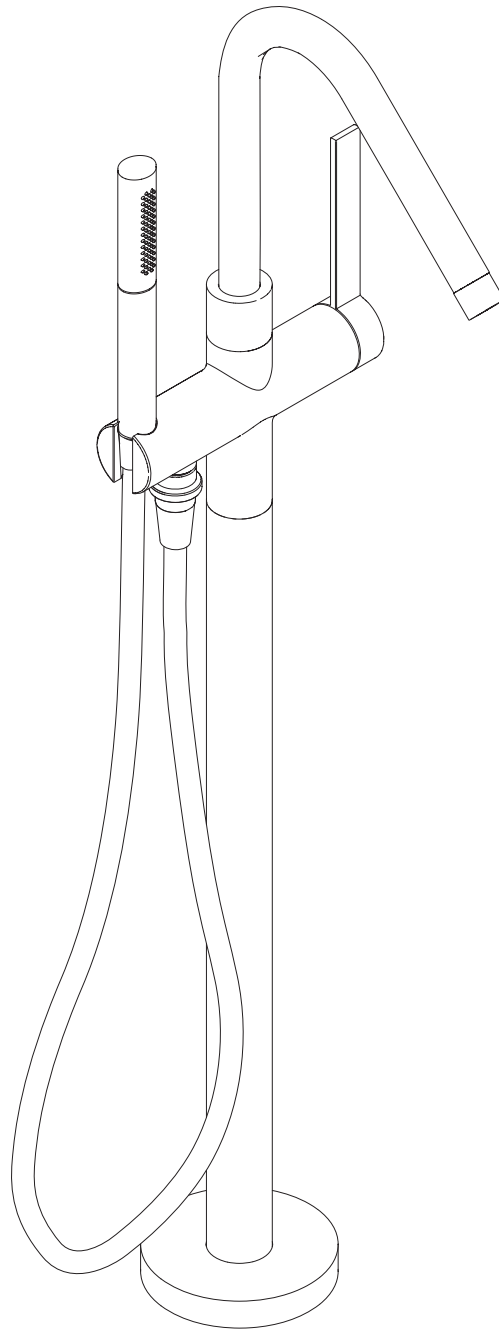
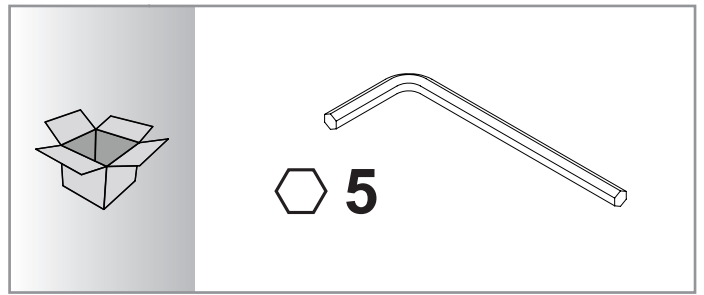
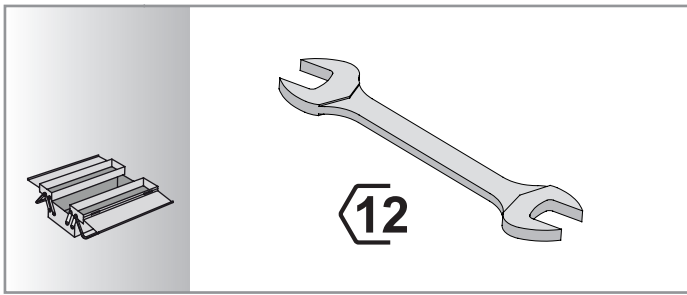


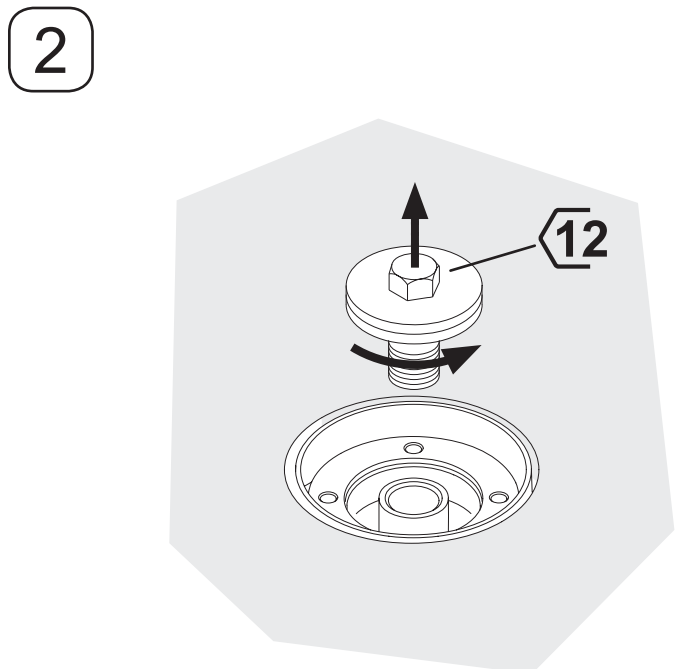
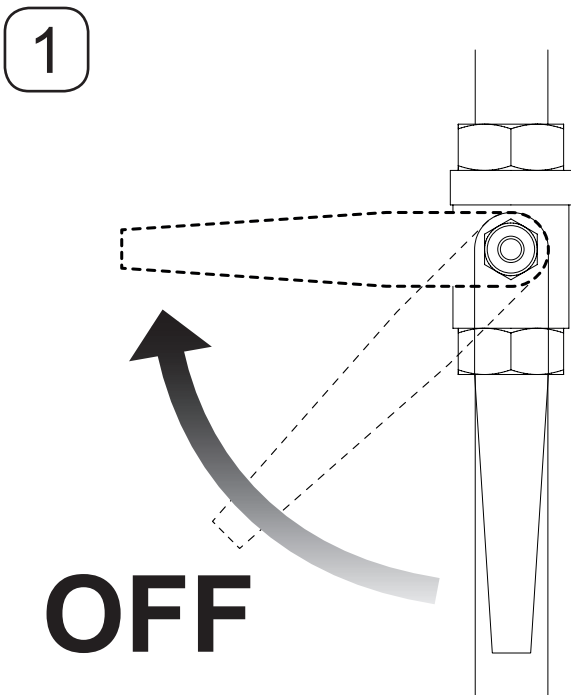
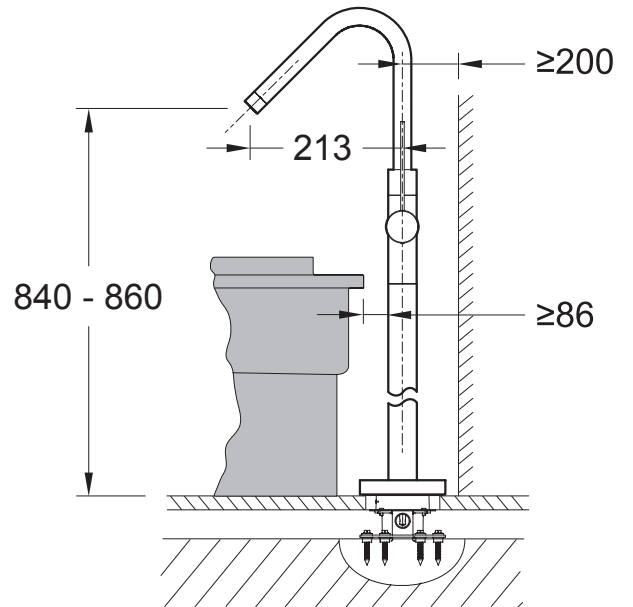
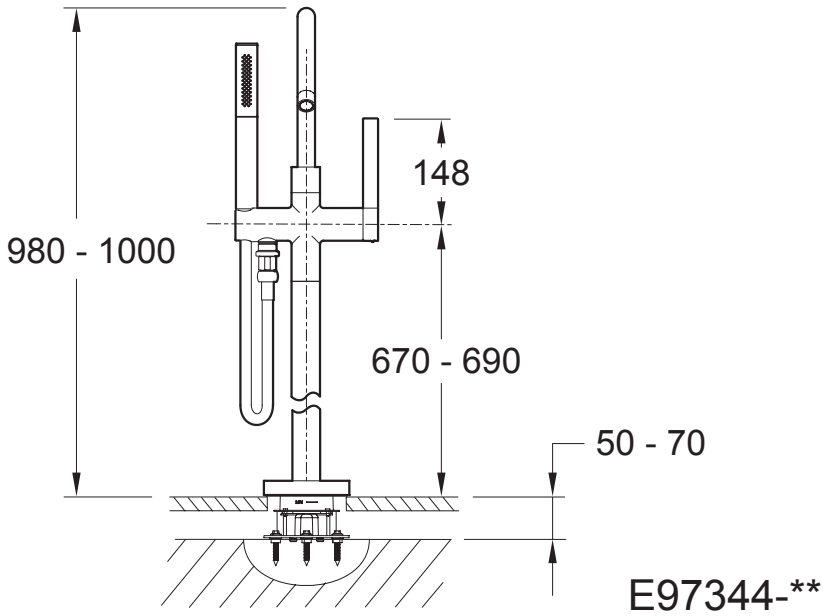
Jacob Delafon

STILLNESS

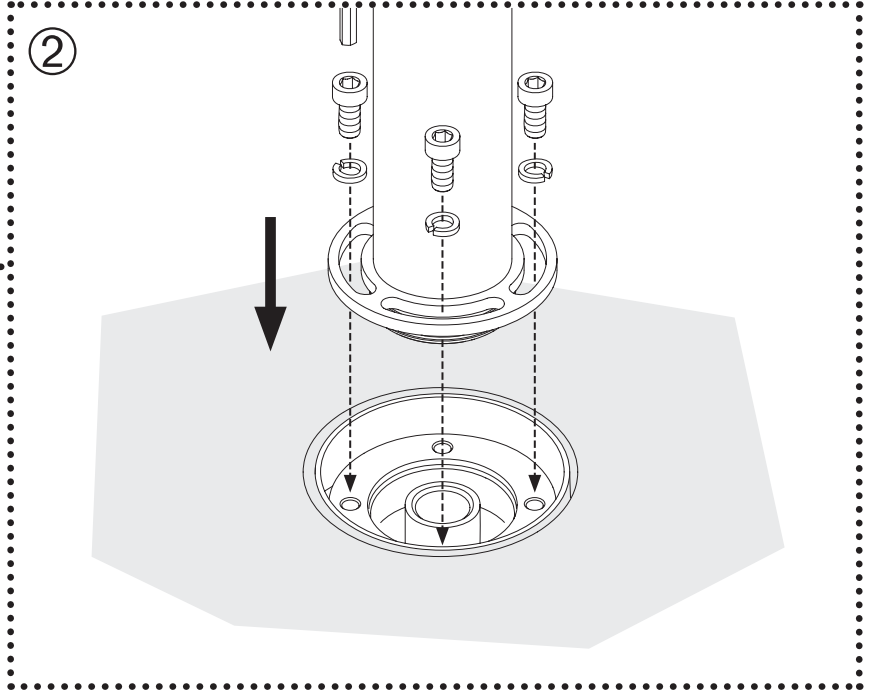
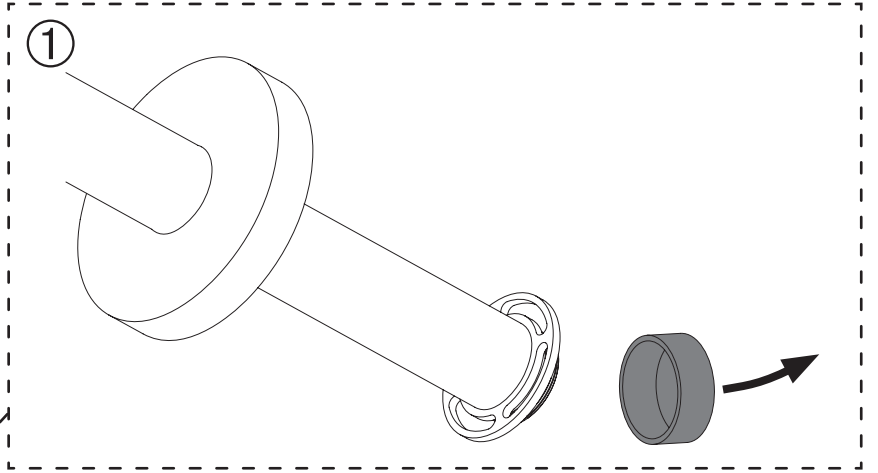
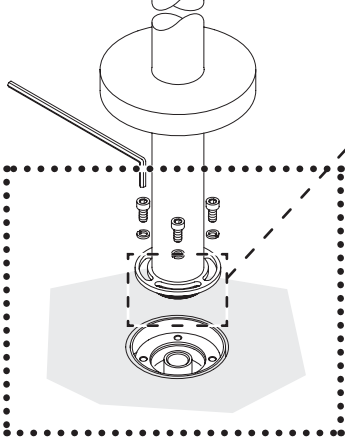
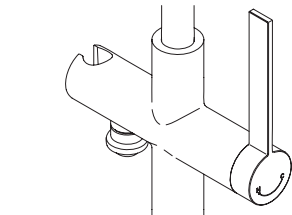




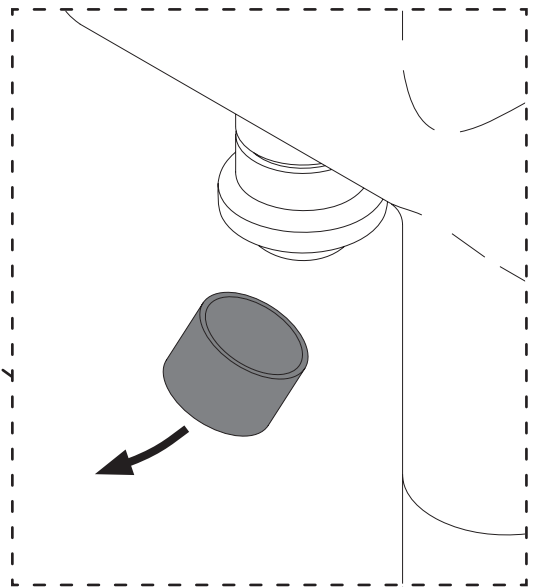
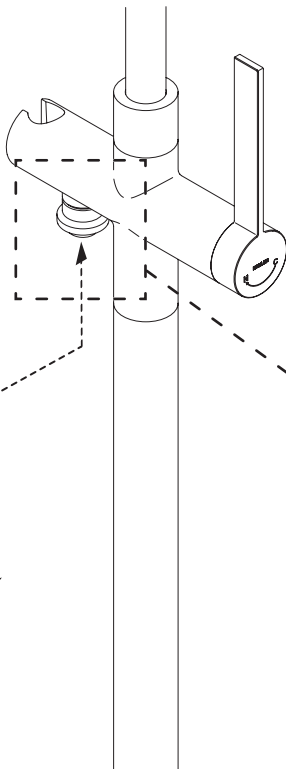
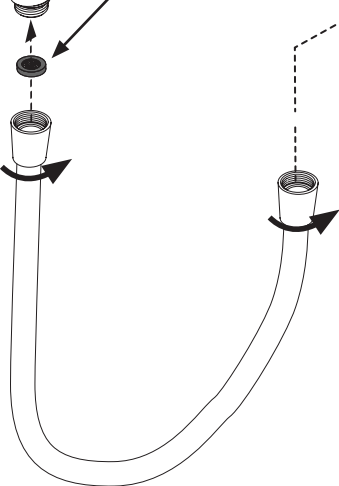
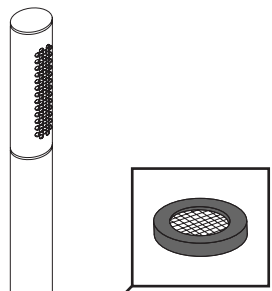
	p	Bar	0.5 < 3 < 6
	t	°C	55 < 60 < 65



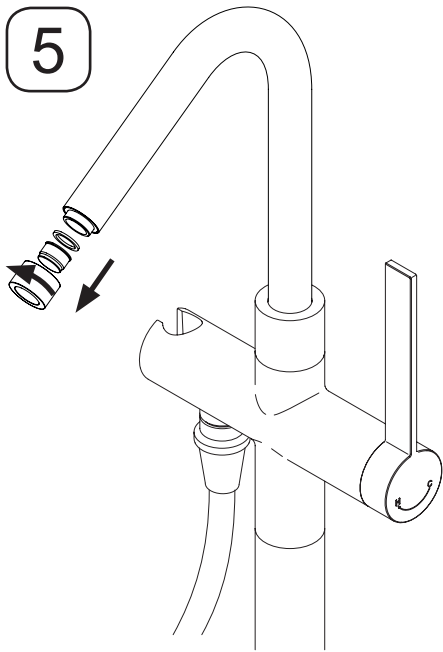
3



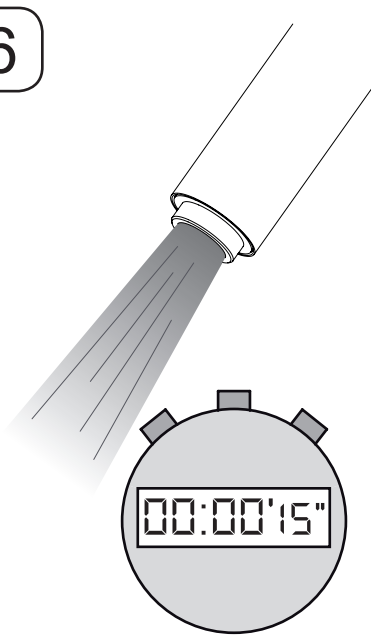
4



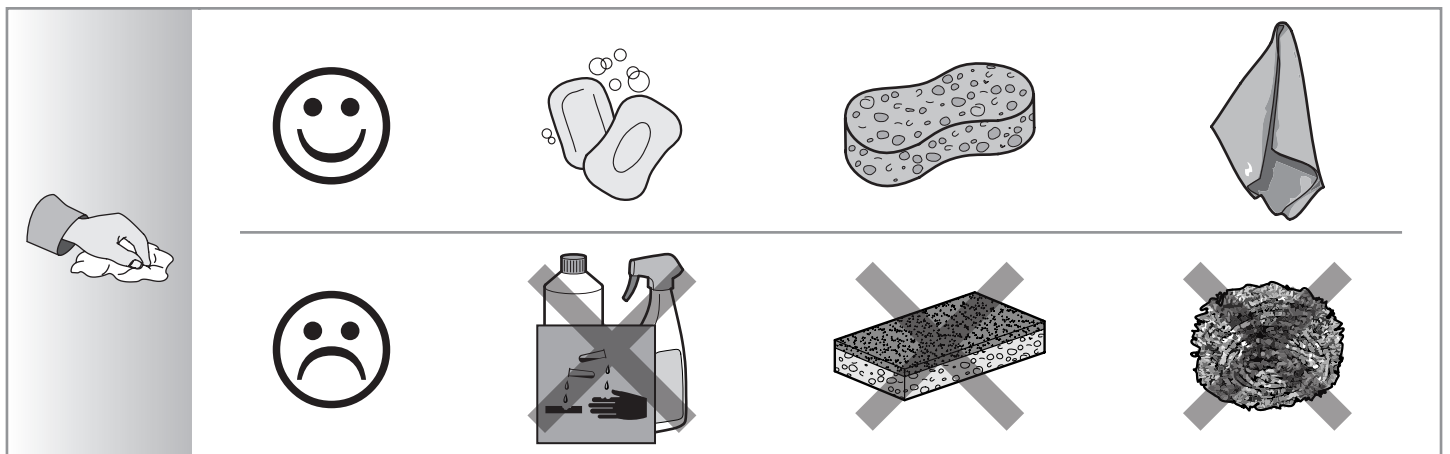
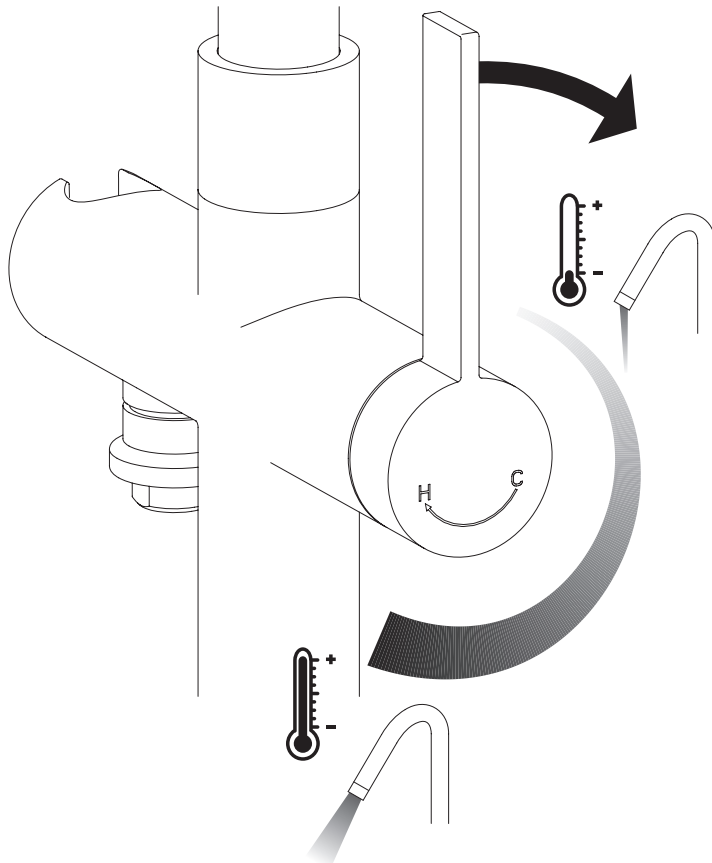
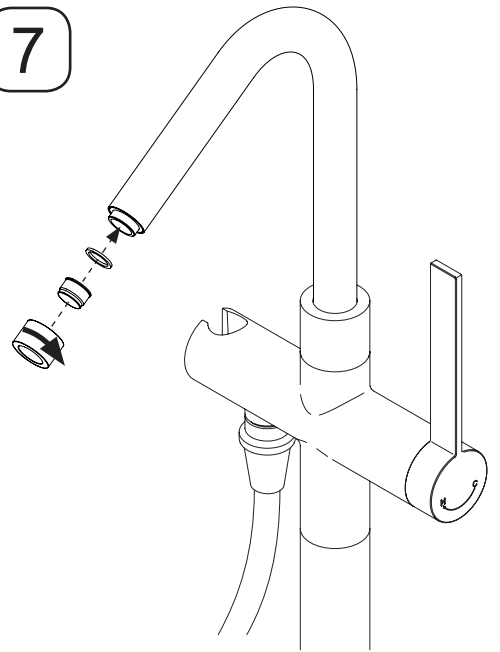
5

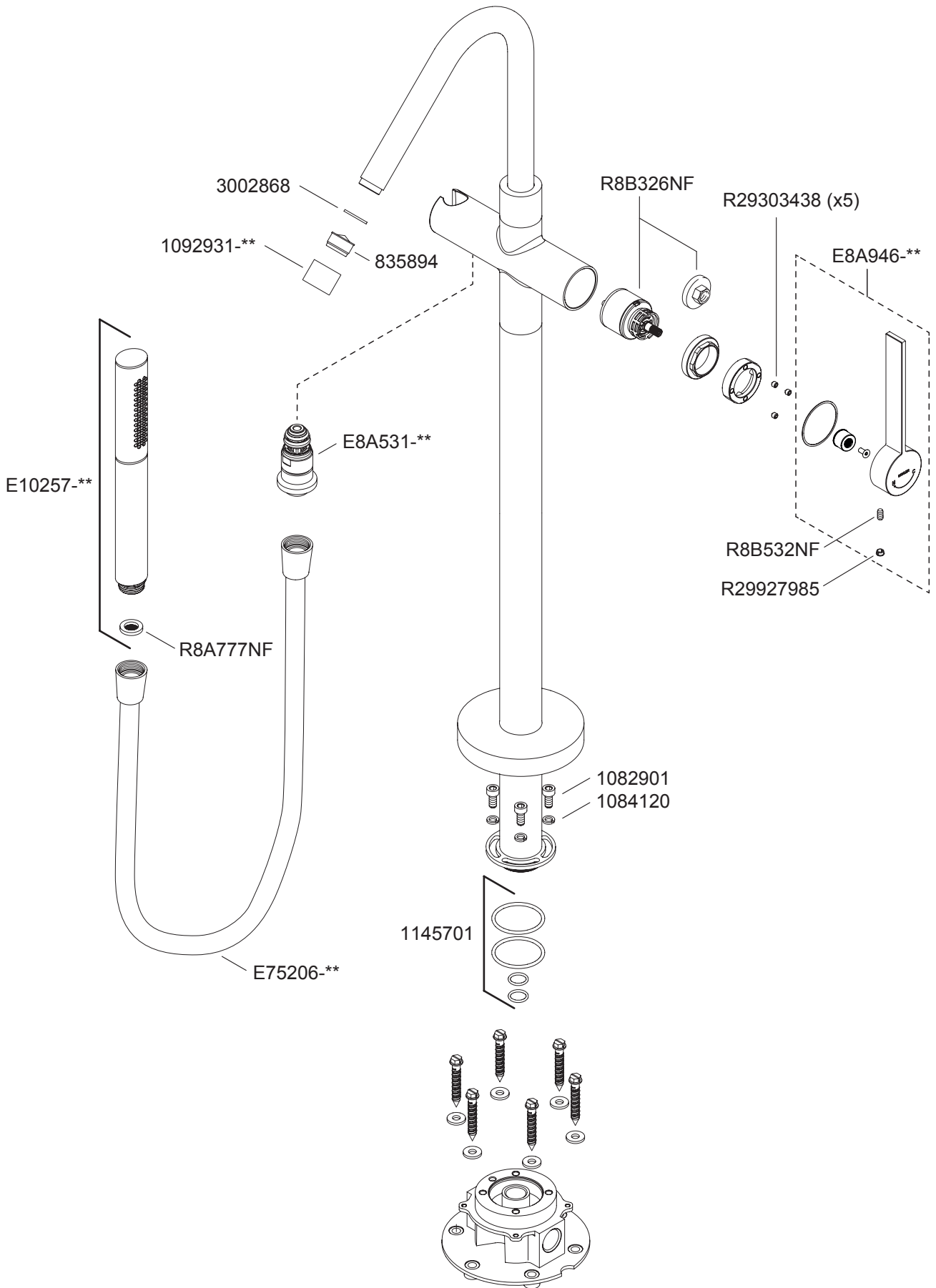


6



7





Jacob Delafon